

2MP Fixed Dome Network Camera

IPC3612ER3-PF28 (40)M-C



Key Features

Optics

- Day/night functionality
- Optical glass window with higher light transmittance
- IR anti-reflection window to increase the infrared transmittance
- Smart IR, up to 30 m (98 ft) IR distance
- 3D DNR (Digital Noise Reduction)

Compression

- H.265, H.264, MJPEG
- Embedded smart algorithm
- Triple streams
- 9:16 corridor mode

Network

- ONVIF Conformance

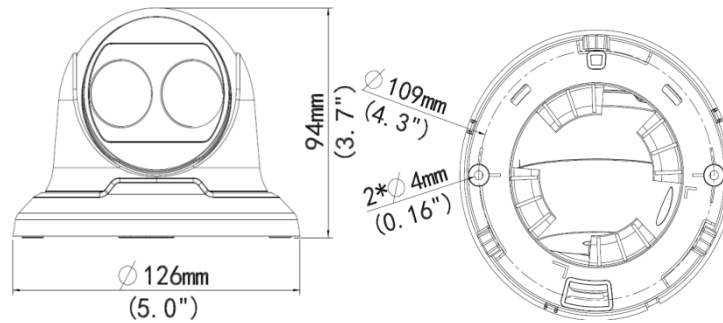
Structure

- Wide temperature range: -35°C to 60°C (-31°F to 140°F)
- Wide voltage range of $\pm 25\%$
- 4 KV surge protection designed for network interface
- IP66

Specifications

| Camera | IPC3612ER3-PF28M-C | IPC3612ER3-PF40M-C |
|----------------------------|---|--------------------|
| Sensor | 1/2.9", 2megapixel, progressive scan, CMOS | |
| Lens | 2.8mm@F1.8 | 4.0mm@F1.8 |
| Angle of view(H) | 105.2° | 79.7° |
| Shutter | Auto/Manual, 1/6~1/100000 s | |
| Min. Illumination | Colour: 0.02 Lux (F1.8, AGC ON) 0 Lux with IR | |
| IR Range | Up to 30m (98 ft) IR range | |
| Day/Night | IR-cut filter with auto switch (ICR) | |
| S/N | >52dB | |
| WDR | Supported | |
| Noise Reduction | 2D/3D | |
| Video | | |
| Max. Resolution | 1920×1080 | |
| Video Compression | H.265, H.264, MJPEG | |
| Frame Rate | 1080P (1920×1080): Max. 30 fps; 720P (1280×720): Max. 30 fps | |
| Video Streaming | Triple | |
| 9:16 Corridor Mode | Supported | |
| ROI | Supported | |
| OSD | Up to 8 OSDs | |
| Privacy Mask | Up to 8 areas | |
| Smart | | |
| Behavior Detection | Intrusion, crossing line, motion detection | |
| Intelligent Identification | Face detection | |
| Statistical Analysis | People counting | |
| Network | | |
| Protocols | L2TP, IPv4, IGMP, ICMP, ARP, TCP, UDP, DHCP, PPPoE, RTP, RTSP, RTCP, DNS, DDNS, NTP, FTP, UPnP, HTTP, HTTPS, SMTP, 802.1x | |
| Compatible Integration | ONVIF,API | |
| Interface | | |
| Network | 10M/100M Base-TX Ethernet | |
| General | | |
| Power | 12 V DC, or PoE (IEEE802.3 af) | |
| | Power consumption: Max 5.5W | |
| Dimensions (Ø x H) | Φ126 x 94 mm (Ø5.0" x 3.7") | |
| Weight | 0.45 kg (0.99lb) | |
| Material | Cast aluminum | |
| Operating Conditions | -35°C ~ +60°C (-31°F ~ 140°F), Humidity ≤ 95% RH(non-condensing) | |
| Ingress Protection | IP66 | |

Dimensions



Accessories

| Installation mode | Accessories | Description |
|-------------------|--|--|
| Ceiling mount | Mounting pedestal is included in the product package | TR-JB03-C-IN junction box and TR-A01-IN waterproof joint for the junction is optional |
| Wall mount | TR-WM03-A-IN | For indoor wall installation, excluding junction box |
| | TR-JB07/WM03-A-IN (Or WM03-B-IN) | For outdoor wall installation, including junction box TR-A01-IN waterproof joint for the junction is optional |
| Pole mount | TR-WM03-A-IN +TR-UP06-IN | For indoor wall installation, excluding junction box |
| | TR-JB07/WM03-A-IN (Or WM03-B-IN)+TR-UP06-IN | For outdoor wall installation, including junction box |

Zhejiang Uniview Technologies Co., Ltd.

South Tower, Building 10, Wanlun Science Park, 88 Jiangling Road, Hangzhou, P.R.China 310051

Email: overseasbusiness@uniview.com; globalsupport@uniview.com

<http://www.uniview.com>

©2016 Zhejiang Uniview Technologies Co., Ltd. All rights reserved.

*Product specifications and availability are subject to change without notice.